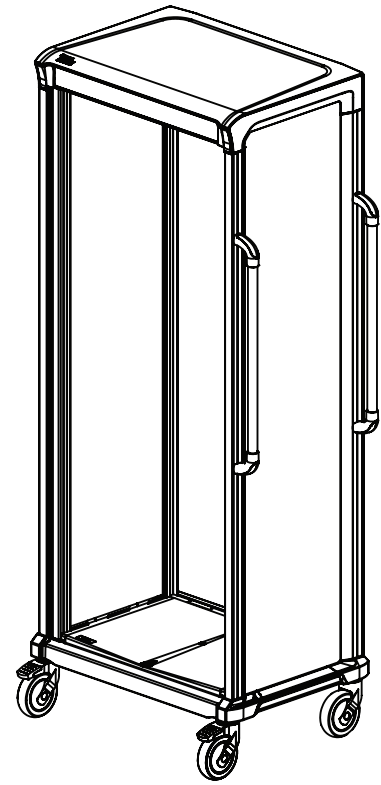
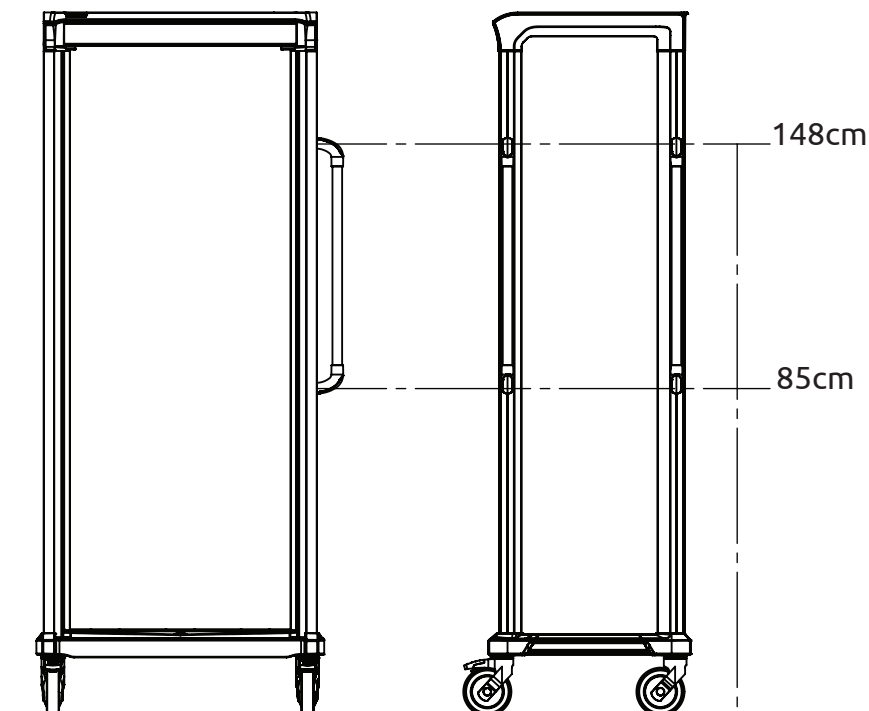


Apollo Cart - Vertical push handle Assembly Instructions

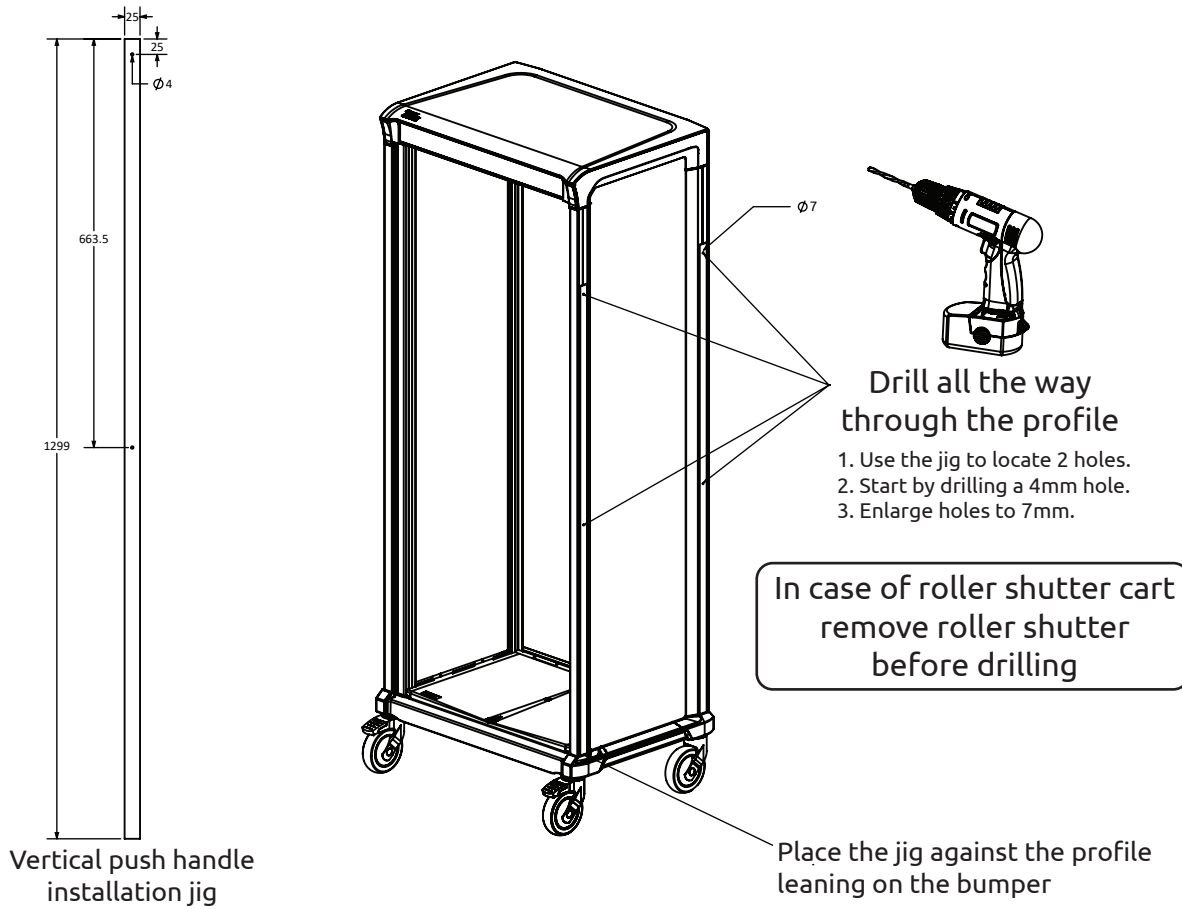


1

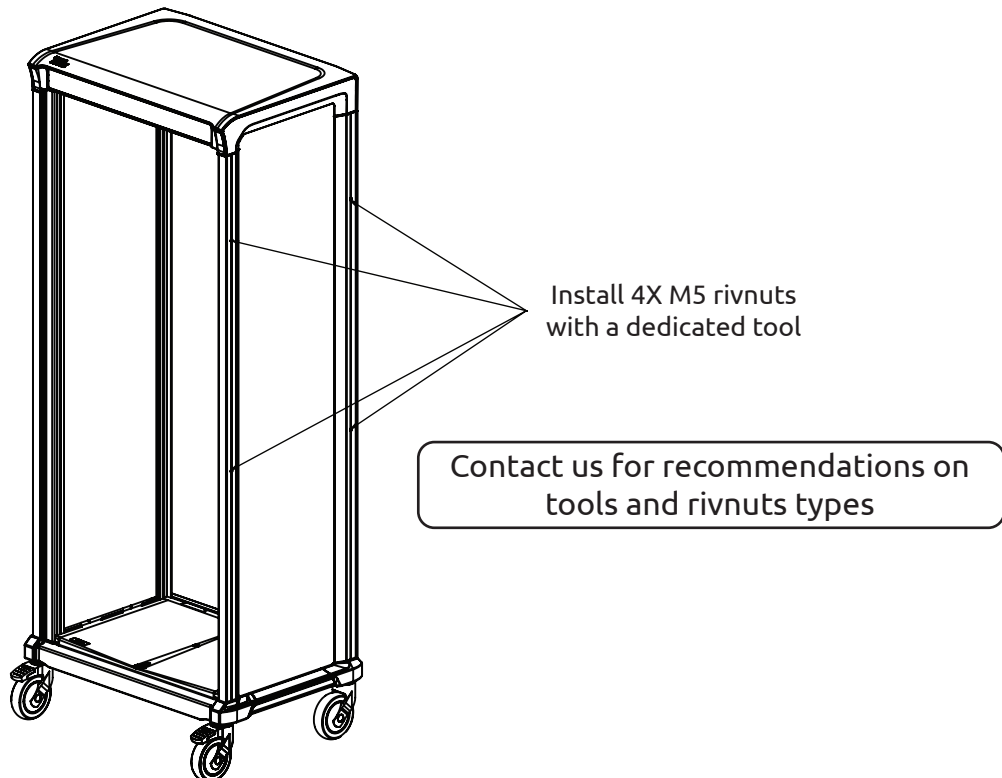
Vertical push handle standard height



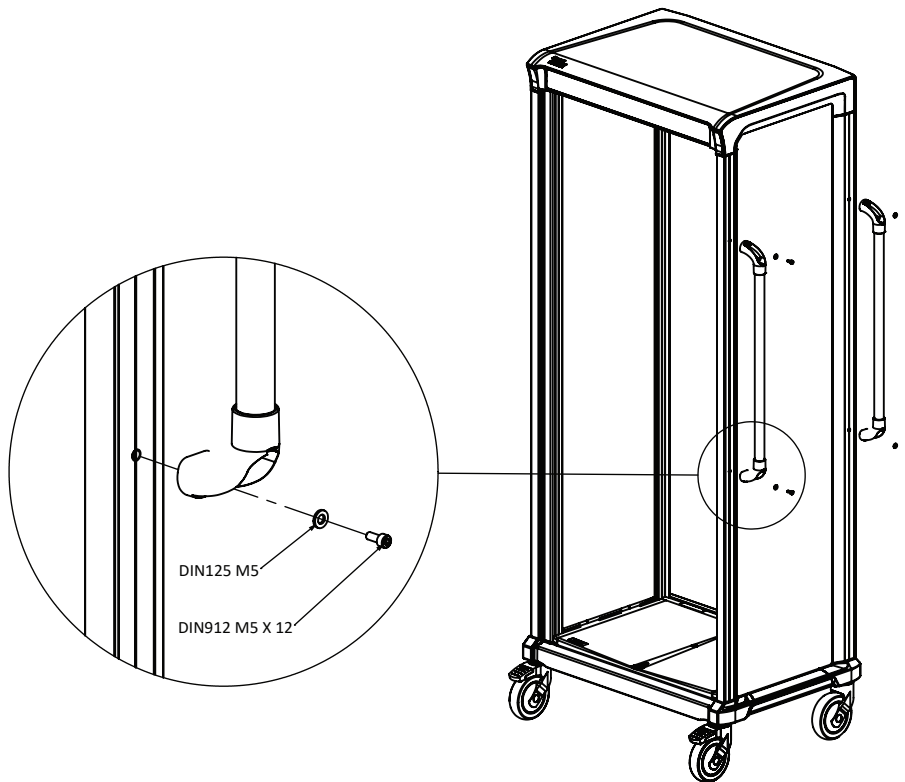
2



3



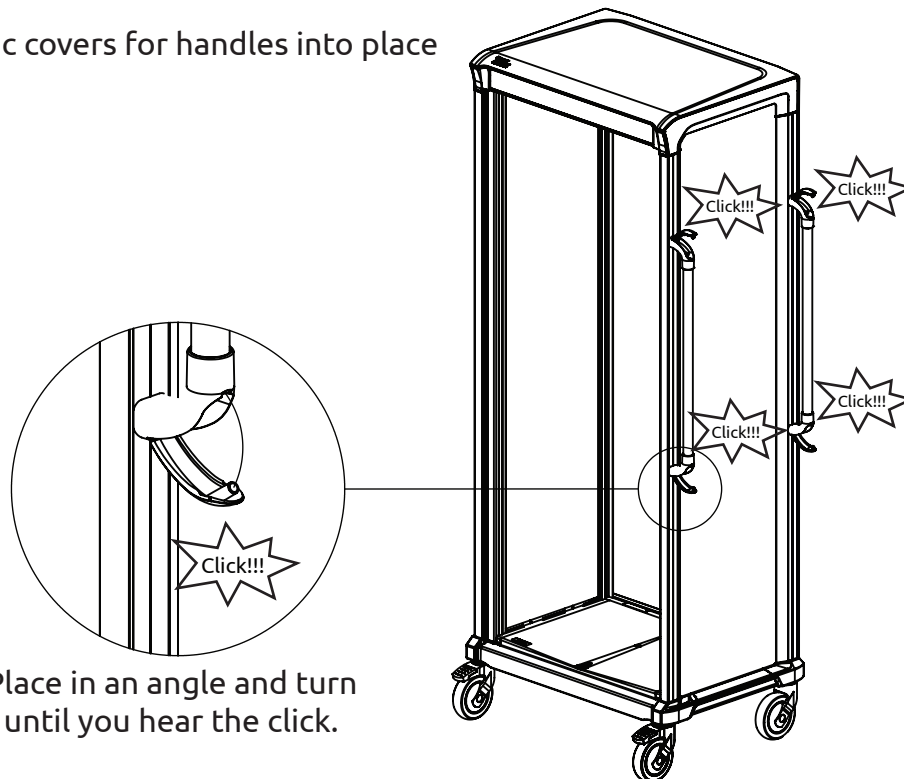
4



Assemble each handle with 2 screws and 2 washers

5

Click plastic covers for handles into place



Place in an angle and turn until you hear the click.