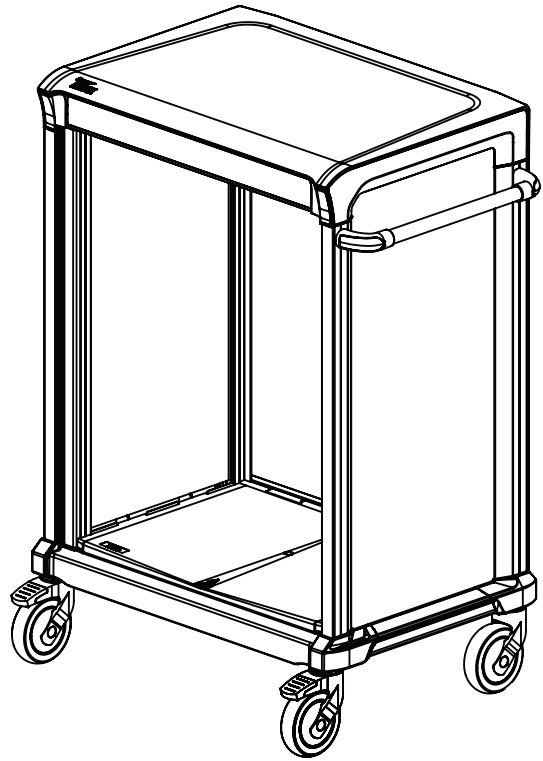
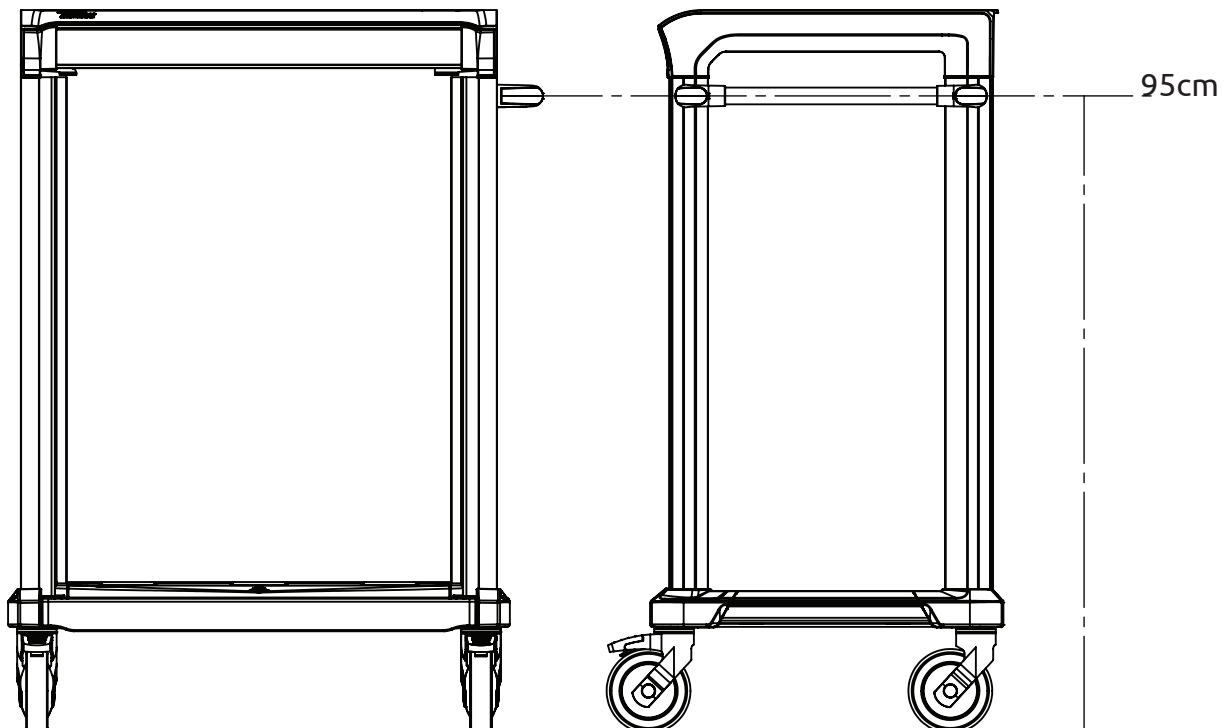


# Apollo Cart - Horizontal push handle Assembly Instructions



1

Horizontal push handle standard height



2

Horizontal push handle installation jig

Drill all the way through the profile

1. Use the jig to locate 2 holes.
2. Start by drilling a 4mm hole.
3. Enlarge holes to 7mm.

In case of roller shutter cart remove roller shutter before drilling

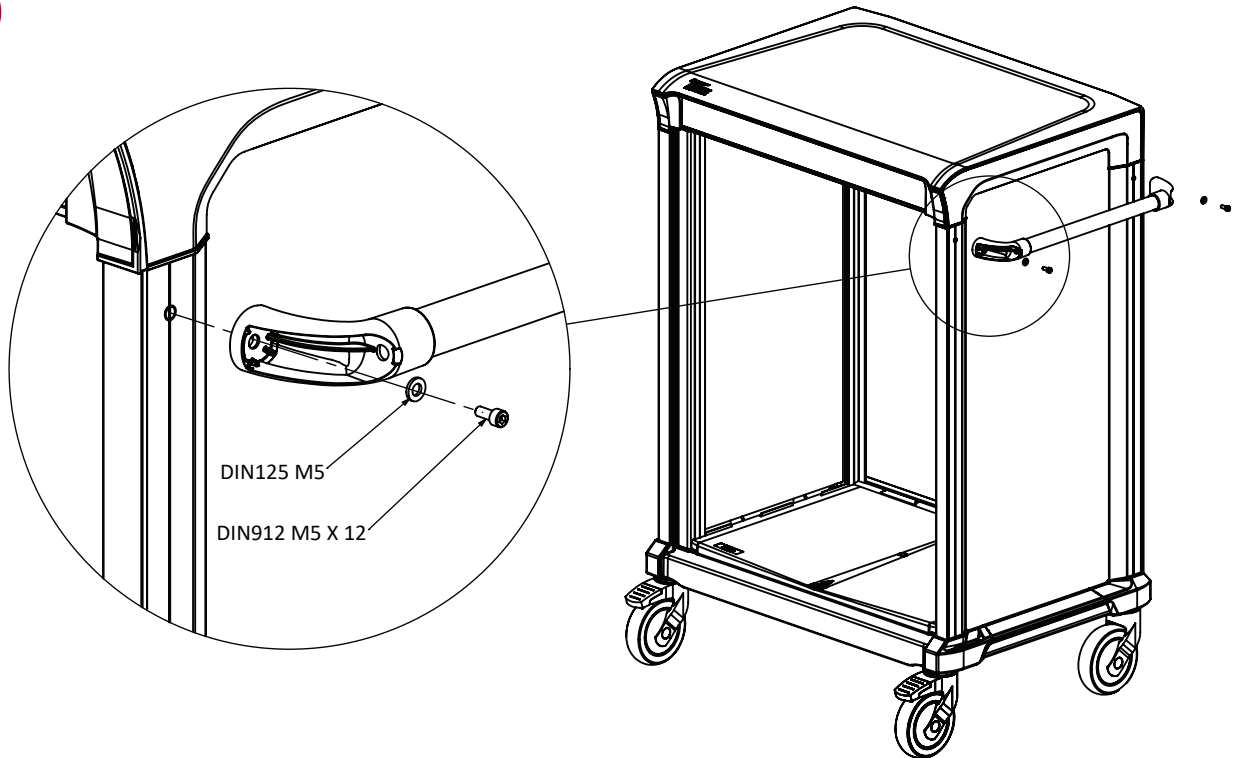
Place the jig against the profile leaning on the bumper

3

Install 2X M5 rivnuts with a dedicated tool

Contact us for recommendations on tools and rivnuts types

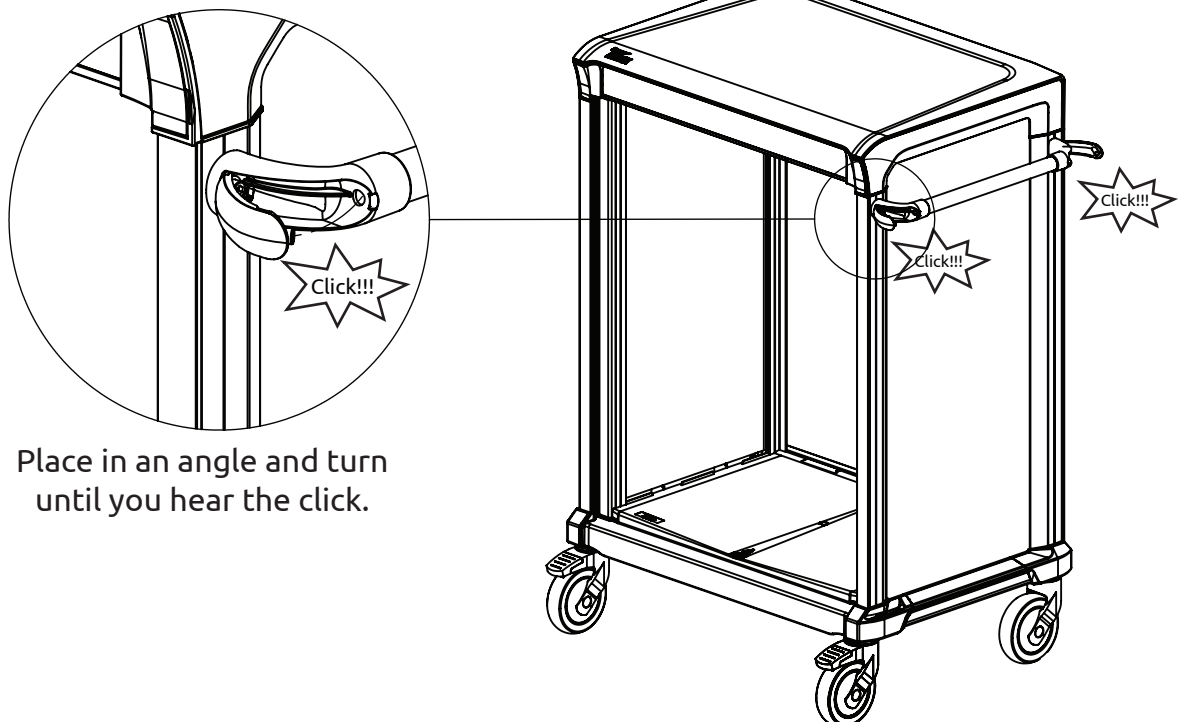
4



Assemble handle with 2 screws and 2 washers

5

Click plastic covers for handles into place



Place in an angle and turn until you hear the click.